



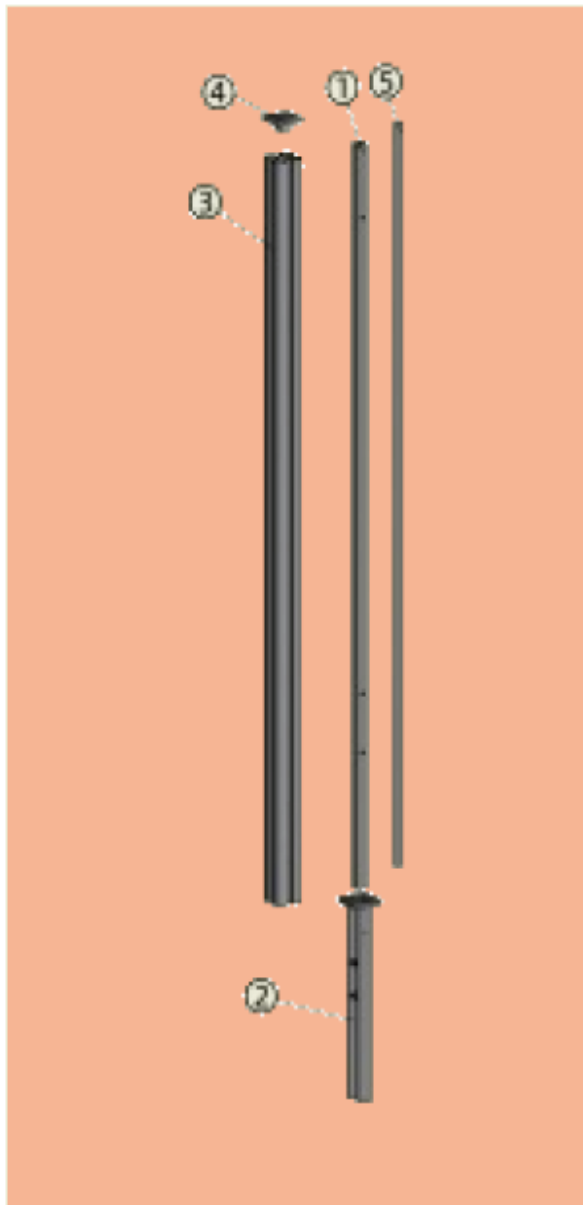
EP Decking Inc
Flooring, Decking and Fence




Gate Posts

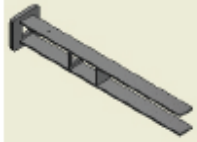

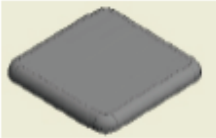
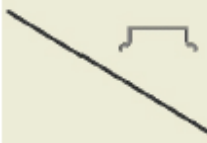

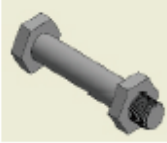
Installation instruction

www.epdecking.com

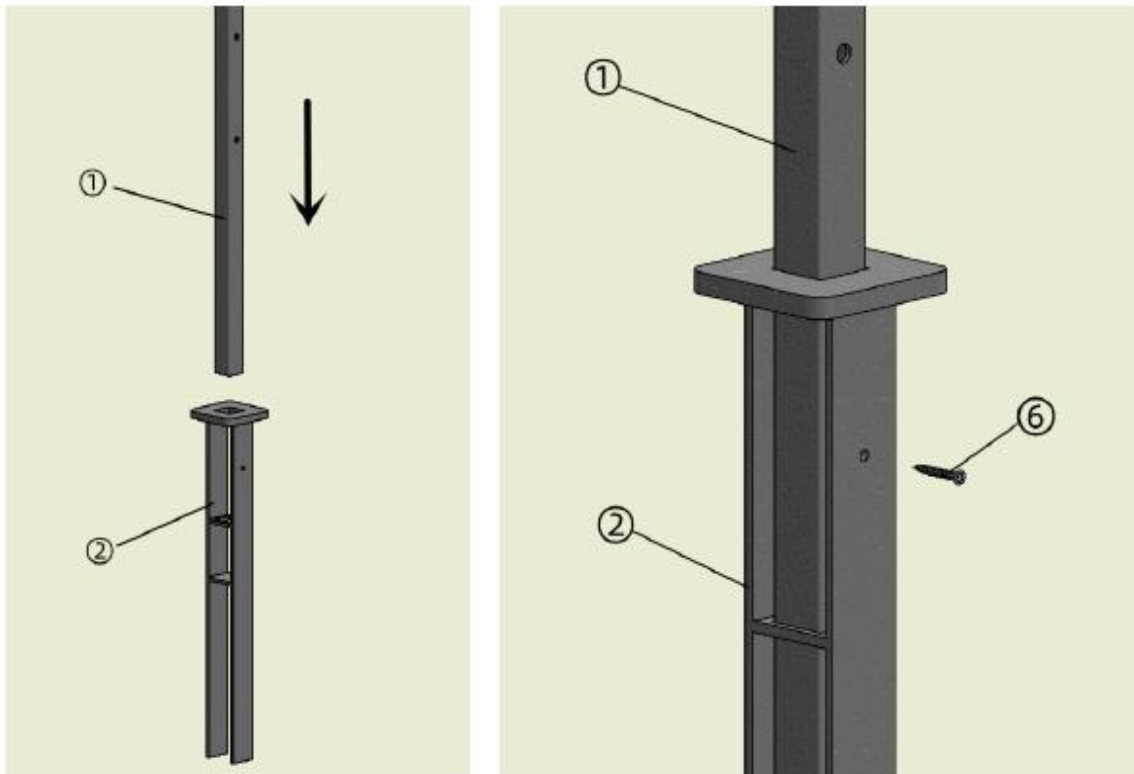


Parts

①  Post Inner Bar		
Part No.	Dims/Length(mm)	QTY
LHMZL004A-1	30*30*1880	1

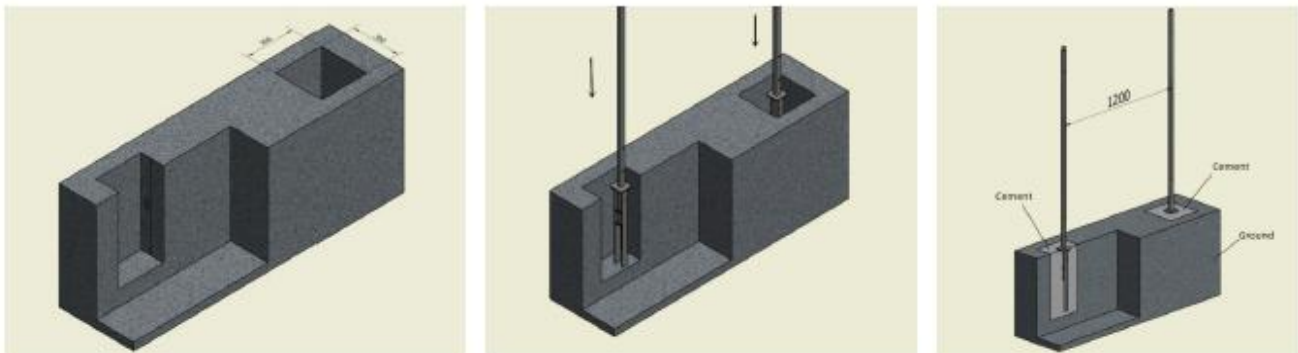
②  Post Holder Base		
Part No.	Dims/Length(mm)	QTY
LHMZL004A-2	86*86*510	1
③  Posts		
Part No.	Dims/Length(mm)	QTY
LHMZL005	80*80*1880	1
④  Post Cap		
Part No.	Dims/Length(mm)	QTY
LHMZL007	/	1
⑤  Side Covers		
Part No.	Dims/Length(mm)	QTY
LHMZL005	25.7*7.8*1880	3
⑥  Self-drilling screw		
Part No.	Dims/Length(mm)	QTY
/	ST4.2*38	1
⑦  Bolt		
Part No.	Dims/Length(mm)	QTY
/	M8*45	3

1, Post holders Installation



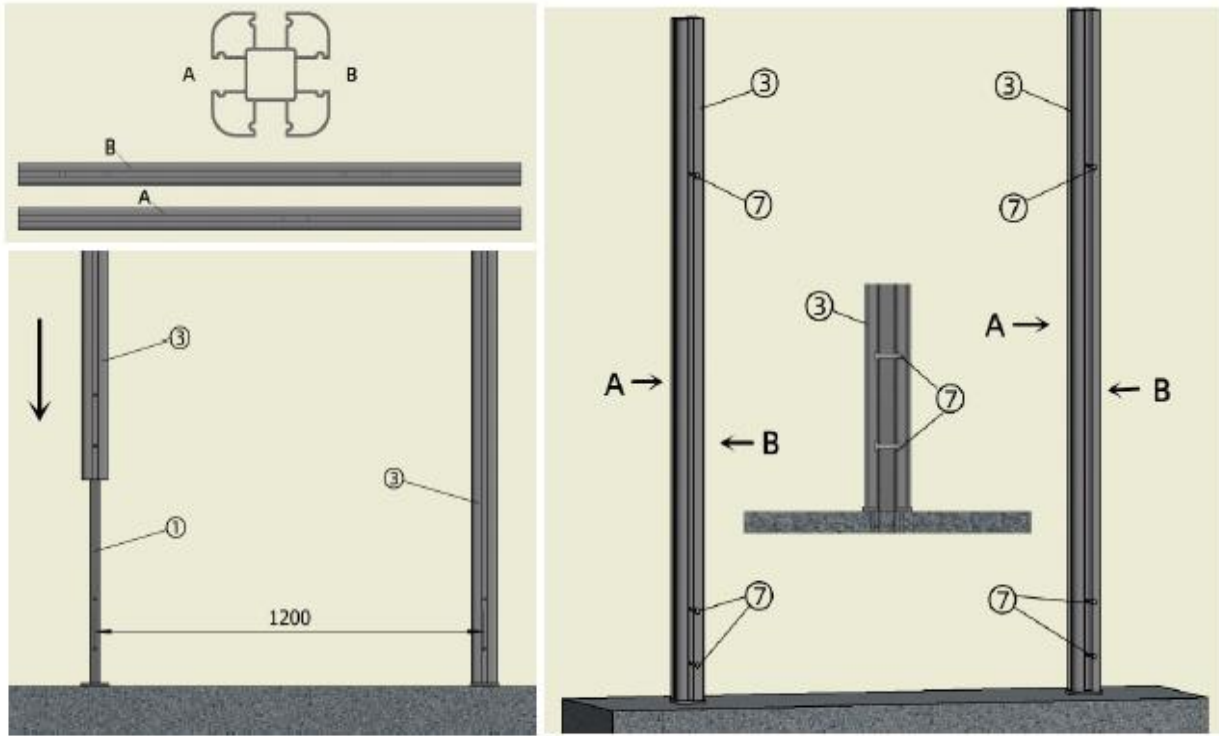
2, Post Holders In Ground Installation

- Minimum in ground hole is 12" x 12" x 24" (depth)
- Cement need minimum 24 hours to dry



3

Post Installation



4

Skirting and post cap Installation

